
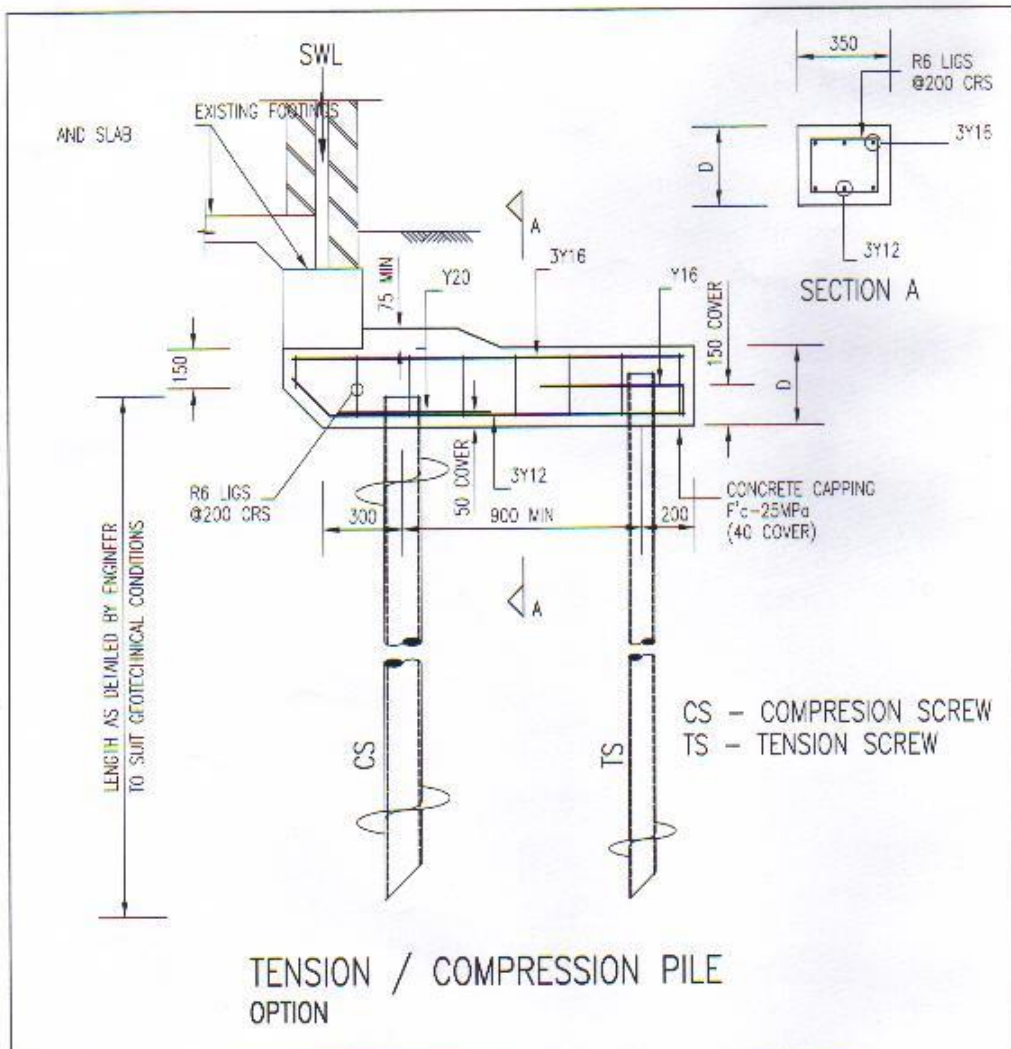


SHEAR HEAD OPTION

SWL	SIF	HELIX	*(3 BARS)	INSTALLATION TORQUE	NOTE SIF DESIGN LIFE : 75 YEARS WITH 80 MICRON GALVANISED COATING. CORROSION ALLOWANCE TO AS 2159-1996, CLAUSE 6.3 ASSUMING GALVANISED COATING PROVIDES 25 YEARS OF LIFE.
50 KN 75 KN	76 X 4.5 CHS 89 X 5.0 CHS	1/250 1/300	3Y16 3Y20	5000 Nm 7500 Nm	

 <p><b>Instant</b> SCREW PILING</p> <p>Phone: +61 7 55 789 153 Email: info@piling.com.au www.piling.com.au</p>	Project:		Drawn: C.C	JOB No 96032
	STANDARD UNDERPINNING DETAIL		Check:	INQ No.
	FOR DOMESTIC HOUSING (TYPE 3)		Date: JULY 96	96037-S4
			Scale: 1:20	



SWL	D (MIN)	CS	HELIX	INST TORQUE	TS	HELIX	INST TORQUE
50 KN	300	89 X 5.4 CHS	2/300	8000 Nm	76 X 4.5 CHS	1/250	5000 Nm
75 KN	370	114 X 5.4 CHS	2/350	13000 Nm	76 X 4.5 CHS	1/250	6000 Nm

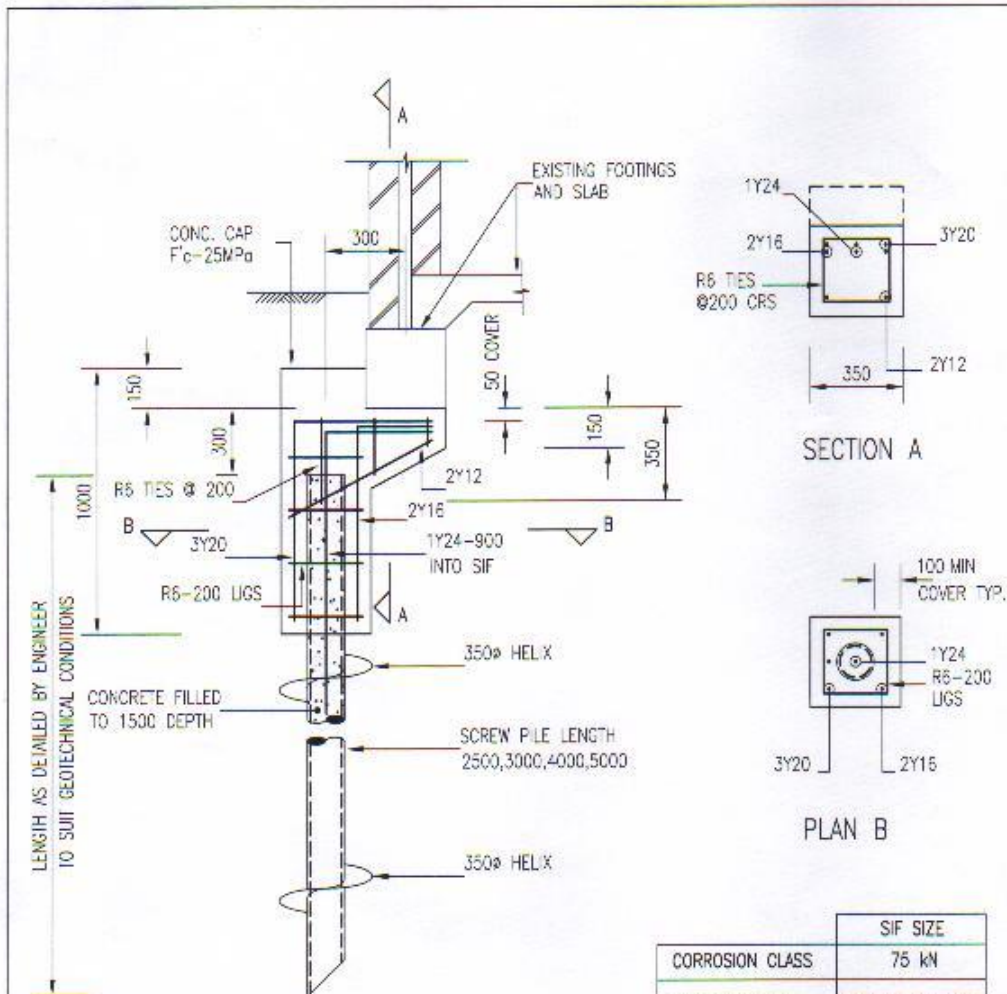
**NOTE**  
SIF DESIGN LIFE : 75 YEARS WITH 80 MICRON GALVANISED COATING. CORROSION ALLOWANCE TO AS 2159-1995, CLAUSE 6.3 ASSUMING GALVANISED COATING PROVIDES 25 YEARS OF LIFE.

**Instant**  
SCREW PILING

Phone: +61 7 55 789 153  
Email: [info@piling.com.au](mailto:info@piling.com.au)  
[www.piling.com.au](http://www.piling.com.au)

Project:  
STANDARD UNDERPINNING DETAIL  
FOR DOMESTIC HOUSING (TYPE 2)

Drawn: C.C	JOB No 96032
Check:	INQ No.
Date: JULY 98	96037-S3
Scale: 1:20	



S.W.L 75 kN  
INSTALLATION TORQUE 8,000 Nm

CORROSION CLASS	SIF SIZE
NON AGRESSIVE	75 kN
MILD	165.0 X 5.0 CHS
MODERATE	165.0 X 5.4 CHS
	168.0 X 6.4 CHS

#### NOTE

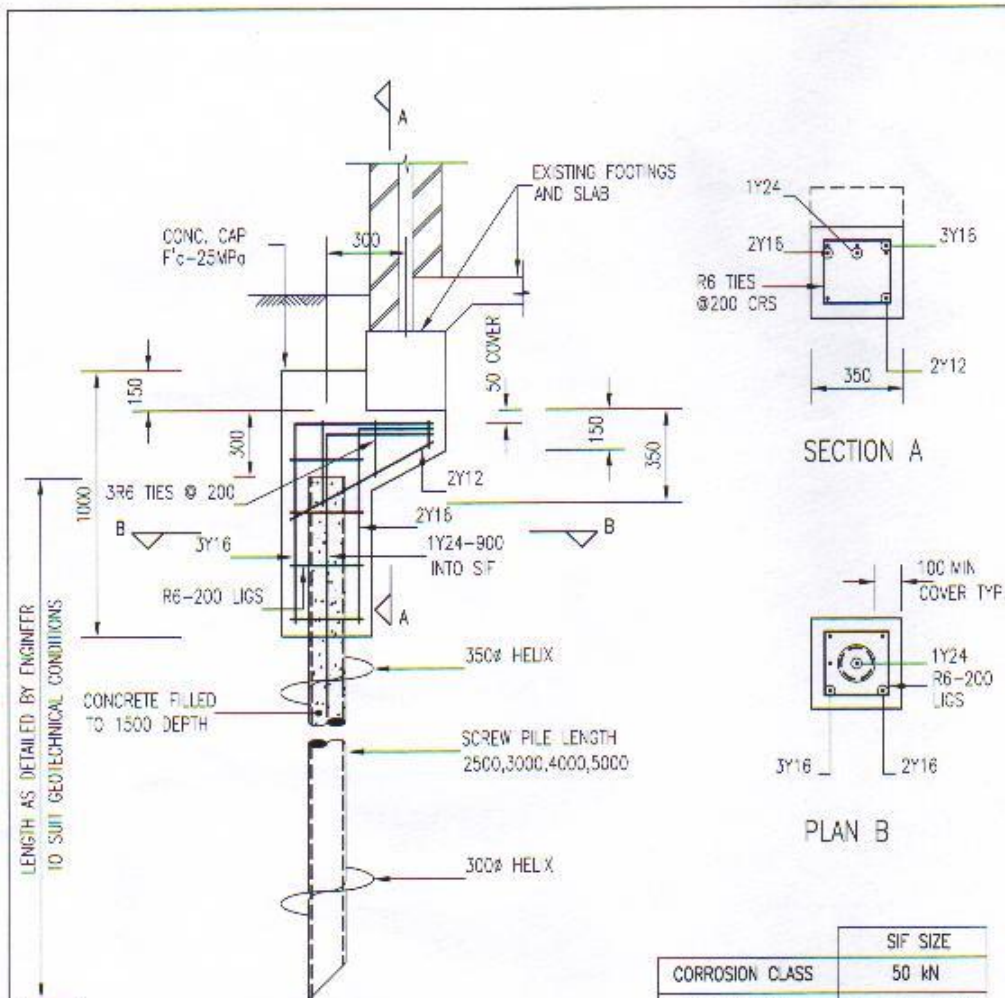
SIF : DESIGN LIFE : 75 YEARS WITH  
80 MICRON GALVANISED COATING  
CORROSION ALLOWANCE IN ACCORDANCE  
WITH AS 2159-1996, CLAUSE 6.3  
ASSUMING GALVANISED COATING  
PROVIDES 25 YEARS OF LIFE



Phone: +61 7 55 789 153  
Email: info@piling.com.au  
www.piling.com.au

Project:  
STANDARD UNDERPINNING DETAIL  
FOR DOMESTIC HOUSING

Drawn:	C.C	JOB No 96032
Check:		INQ No.
Date:	JULY 96	96037-S1
Scale:	1:20	



S.W.L 50 kN  
INSTALLATION TORQUE 5,000 Nm

CORROSION CLASS	SIF SIZE
NON AGRESSIVE	50 kN
MILD	139.7 X 5.0 CHS
MODERATE	139.7 X 5.4 CHS
	165.0 X 5.0 CHS

**NOTE**

SIF : DESIGN LIFE : 75 YEARS WITH  
80 MICRON GALVANISED COATING  
CORROSION ALLOWANCE IN ACCORDANCE  
WITH AS 2159-1995, CLAUSE 6.3  
ASSUMING GALVAN SED COATING  
PROVIDES 25 YEARS OF LIFE



Phone: +61 7 55 789 153  
Email: [info@piling.com.au](mailto:info@piling.com.au)  
[www.piling.com.au](http://www.piling.com.au)

Project:  
STANDARD UNDERPINNING DETAIL  
FOR DOMESTIC HOUSING

Drawn:	C.C	JOB No 96032
Check:		INQ No.
Date:	JULY 96	96037-S2
Scale:	1:20	